

Reaction Arms (Ergonomic Arms)

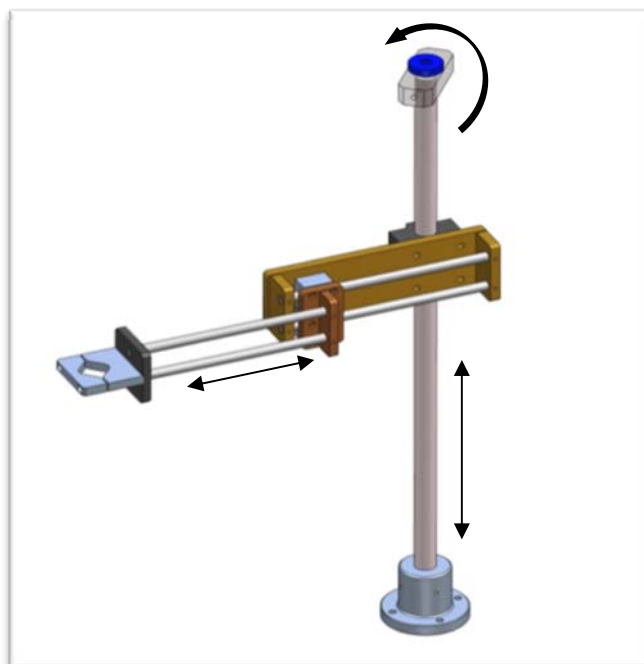
Reaction arms are specially designed to reduce operator by absorbing torque reaction which also results into improvements in the Ergonomics & work productivity of Work Station.

1. Linear Reaction Arms – (TK-LRA Series).

Key features-

- Erase Torque Reaction
- Ensure Perfect Perpendicularity
- Supress the tiredness
- Improve the tightening quality
- Reduce the absenteeism Rate
- Improve Productivity

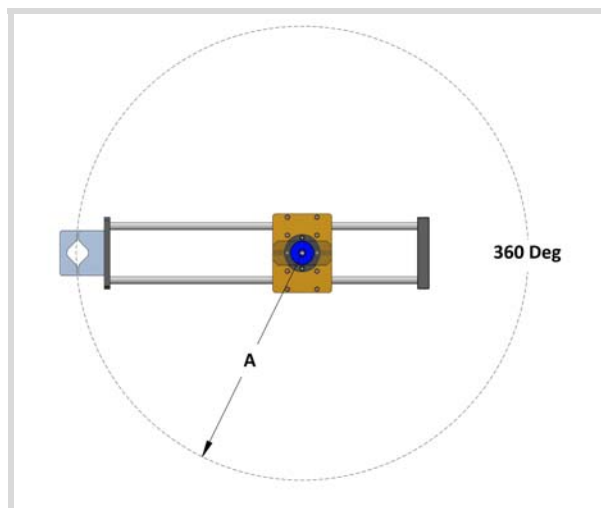
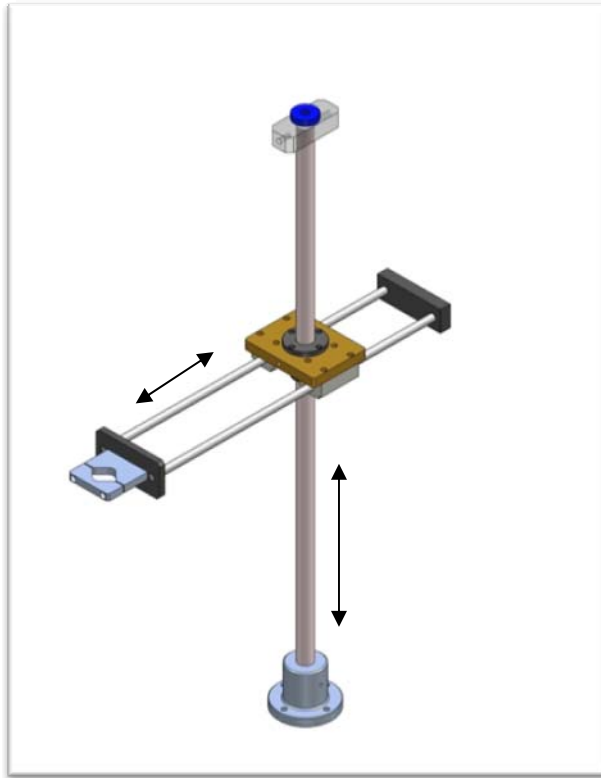
A. TK-LRA-A Series-



B. TK-LRA-B Series



C. TK-LRA-C Series

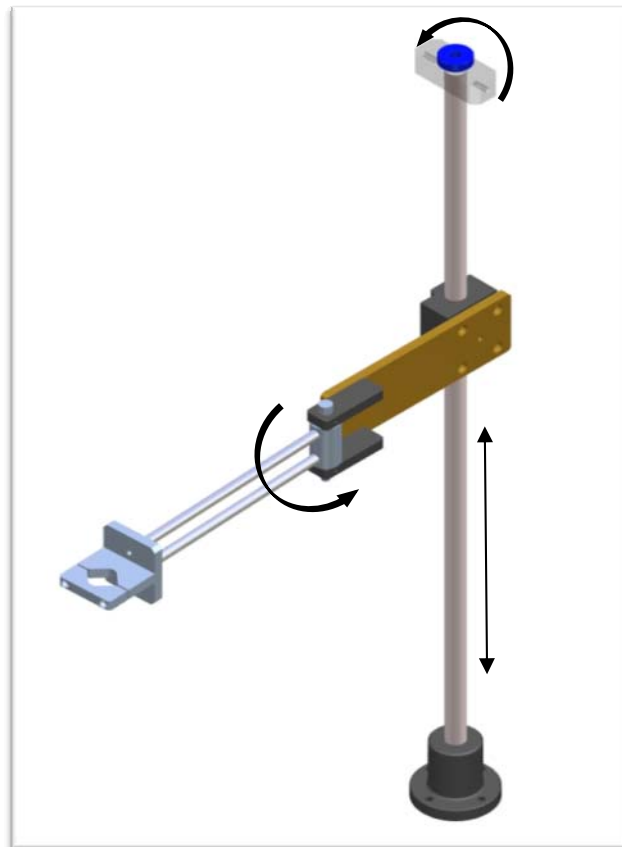


2. Articulated Reaction Arm - (TK-ARA Series).

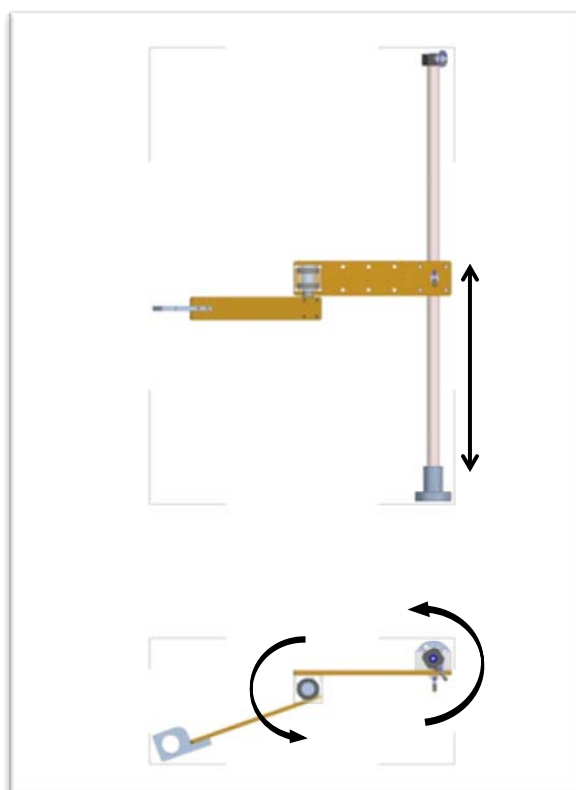
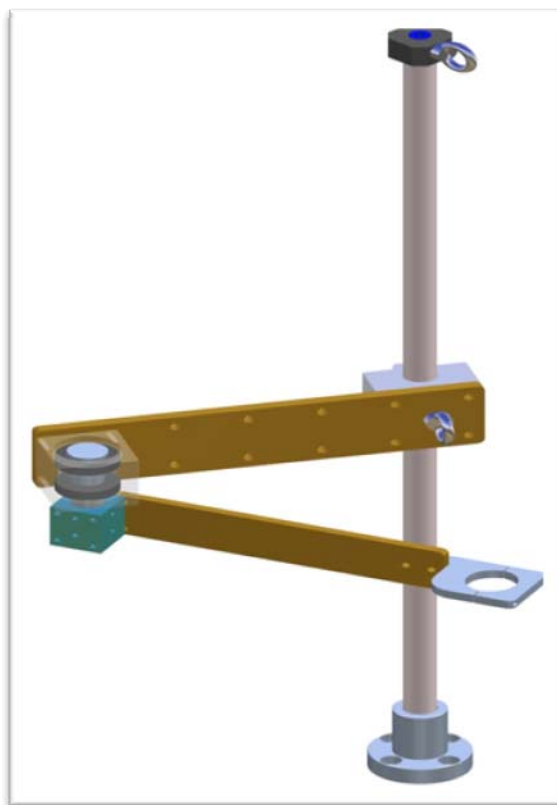
Key Features-

- Ideal for space less positions
- Better Positional Accuracy
- Less Moment of Inertia
- Highly comfortable
- Economical & Versatile as various types of Torque Tools can be mounted on same Reaction Arm

A. TK-ARA-A Series



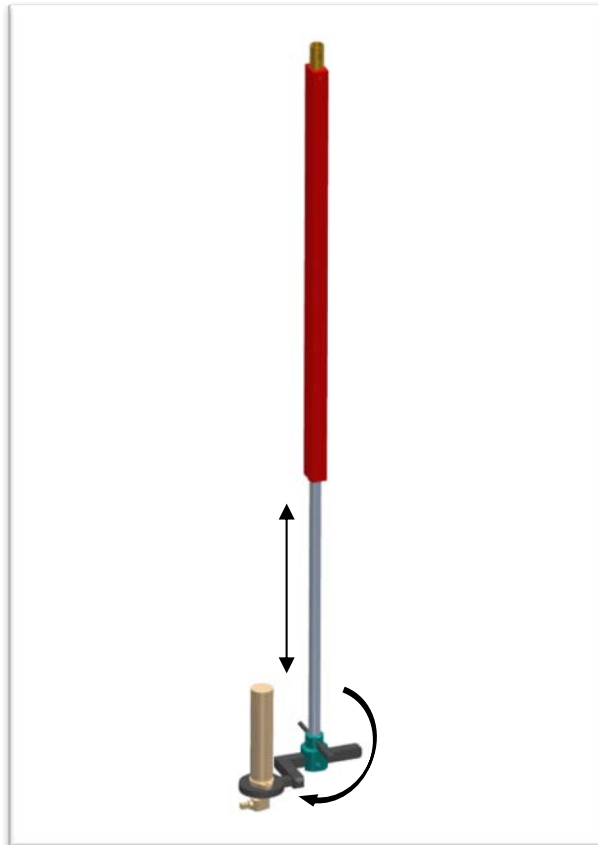
B. TK-ARA-B Series



3. Telescopic Reaction Arms-

Key Features-

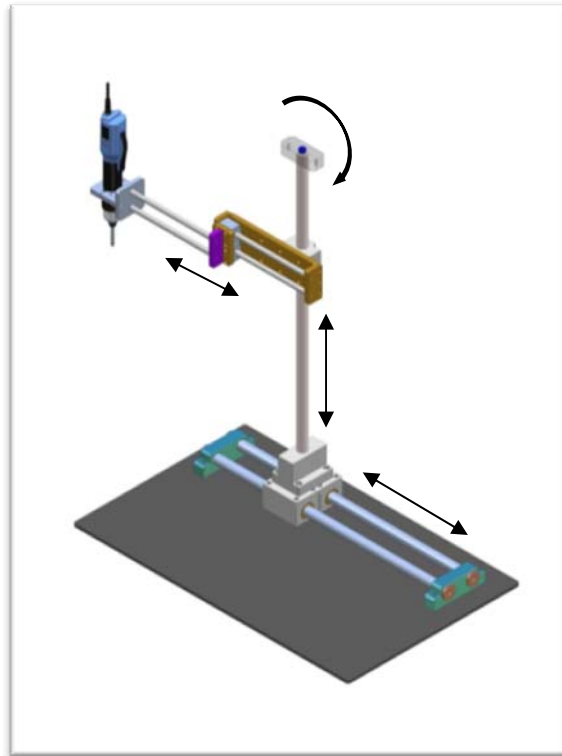
- Requires Less place
- Easy to install on moving assembly lines
- Easy & quick operator handling



4. Travelling Type Reaction Arm-

Key Features-

- Ideal for tightening operations on large surface or with repetitive tightening task.



PRODUCT BY-

TECHNOKRATEN LLP,

Sr. No. 77, VISHNUMALATI INDUSTRIAL ESTATE, SHIVANE,
PUNE- 411023

MAHARASTRA, INDIA.

MOBILE- +91 9970070528

E-mail- response.technokraten@gmail.com